


ArcusWiLink



Saves You MONEY!

Manage your geyser and security lights with your mobile phone in a few easy steps and *save up to 75% on your ZESCO electricity bill*

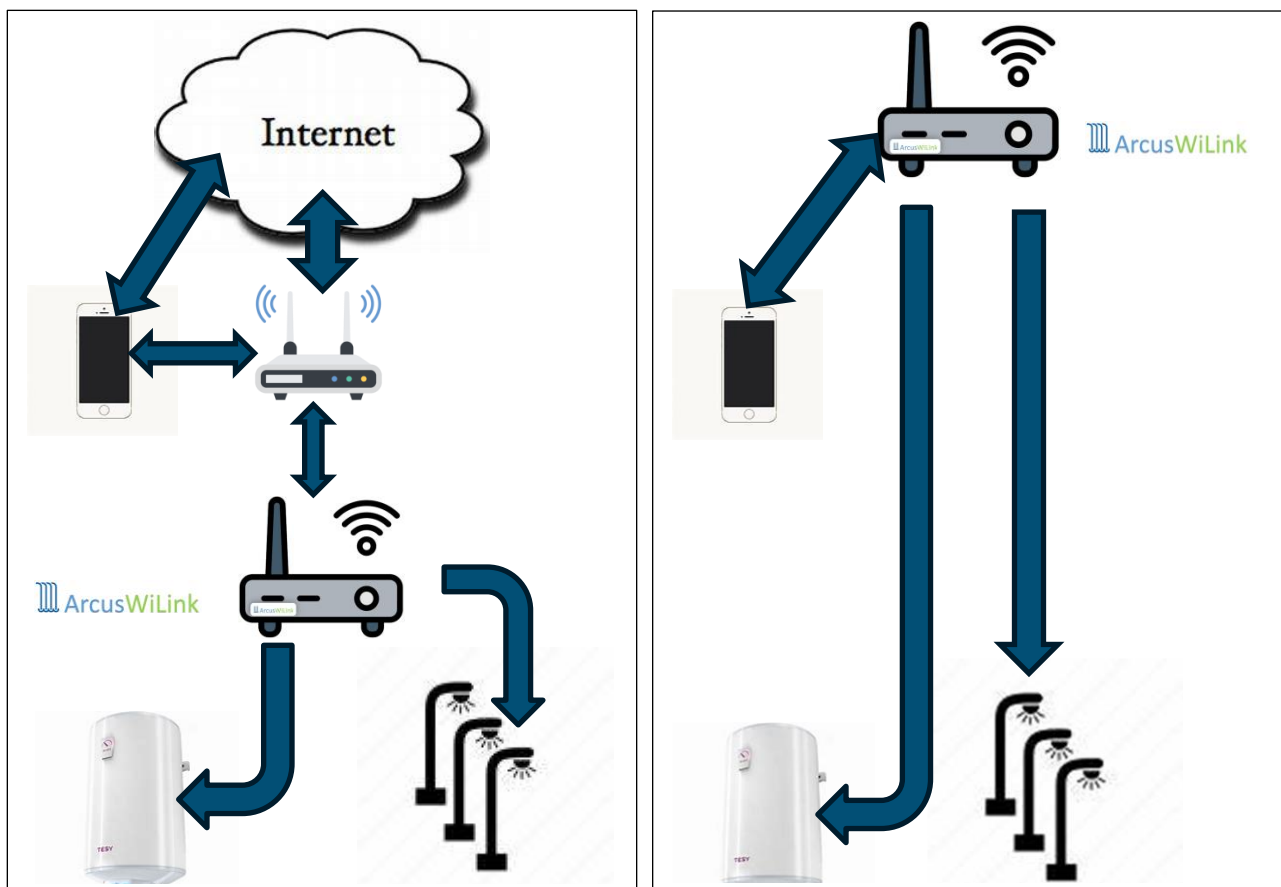
Arcus Investments
Matuka Avenue, Kitwe
www.arcusinvest-zm.com
info@arcusinvest-zm.com
WhatsApp: +260 96 849 4550

Arcus WiLink

Product Summary

The **Arcus Wireless Link** enables seamless connection of your domestic appliances to your mobile phone so that you are able to control and monitor your security lighting, geyser, pool pump and any other electric appliance from anywhere that you have Internet Access. It enables connection to cloud services so that you can automate operations and use voice commands.

Use the unit as a standalone if you do not connect to the Internet. You can operate the unit from your mobile phone or tablet within a radius of 30m (normal WLAN distances) and store the automation program locally on the unit.



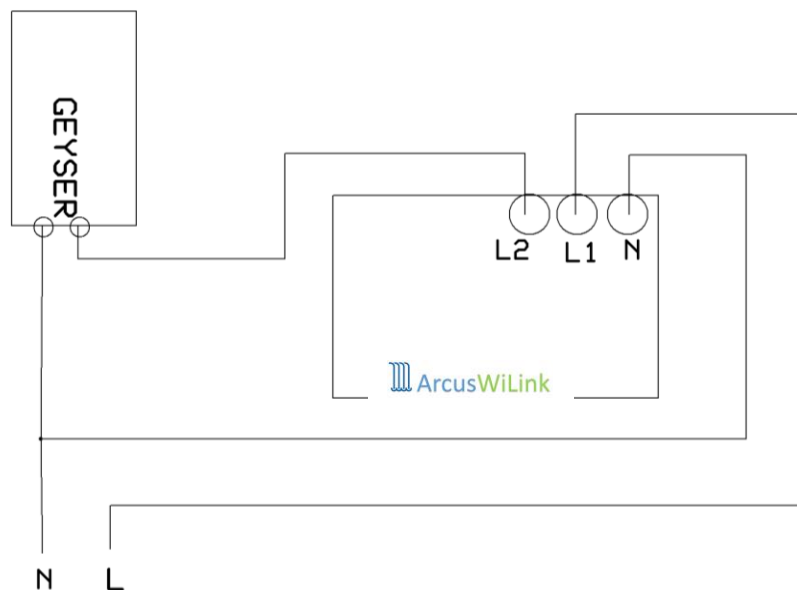
The **Arcus WiLink** uses a powerful industry standard Texas Instruments chipset with the latest encryption to ensure maximum data security.

CONNECTING YOUR WiLink

- Hardwired to the unit (**up to 7 appliances can be directly connected. The number of hardwired connections to be advised at time of ordering**) This is the option for domestic applications. **WiLink Home.**
- Optional Sub 1 GHz radio link with communication radius of 5km. Wireless connectivity to sensor and actuator nodes in a 5km radius allows easy expansion. This option is mostly applied to the **WiLink Agric** and the **WiLink Industrial.**
- Standard 2.4GHZ WiFi connection applies to all models. (This is the link to mobile phone and/or Internet Gateway)

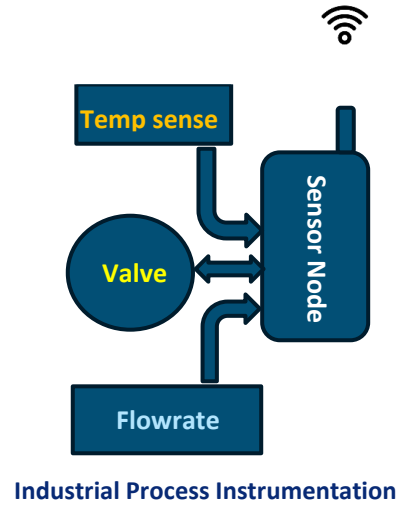
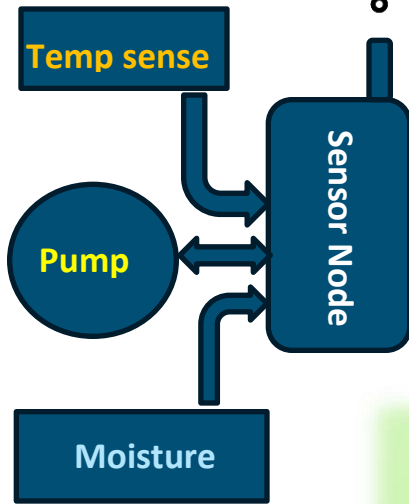


Danger of electric shock. All wiring of the mains circuit should be done by a qualified electrician.



Typical Hardwired Scheme

Farm Irrigation



Sub 5GHz Network
(5km range)

